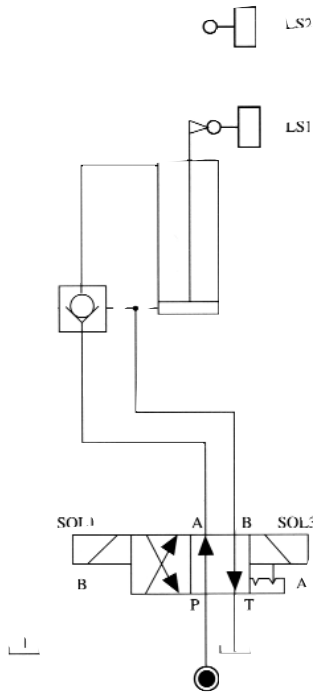
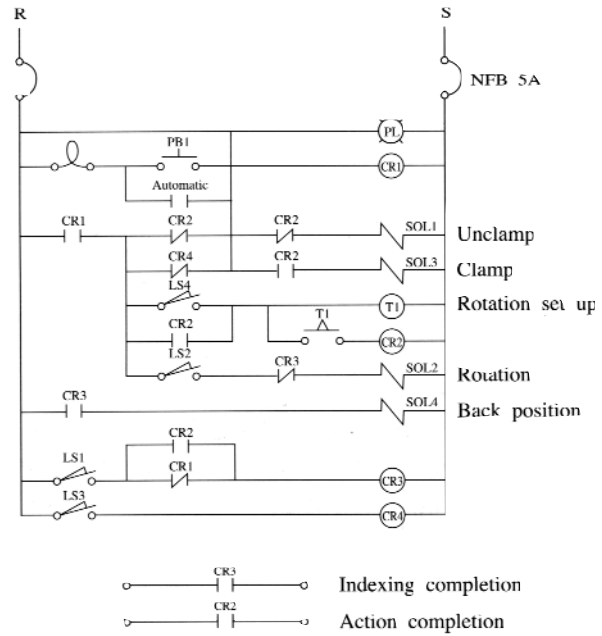


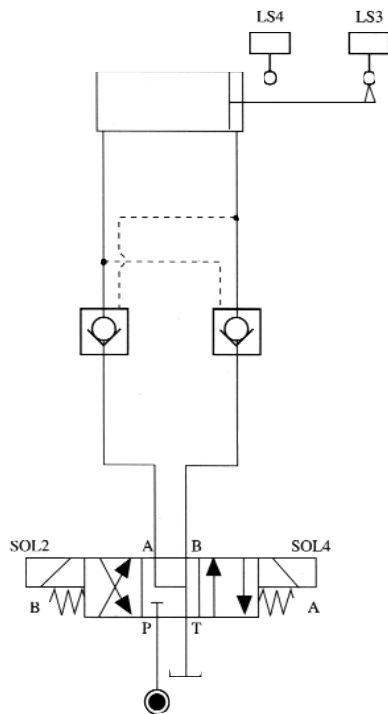
HYDRAULIC CIRCUIT DRAWINGS



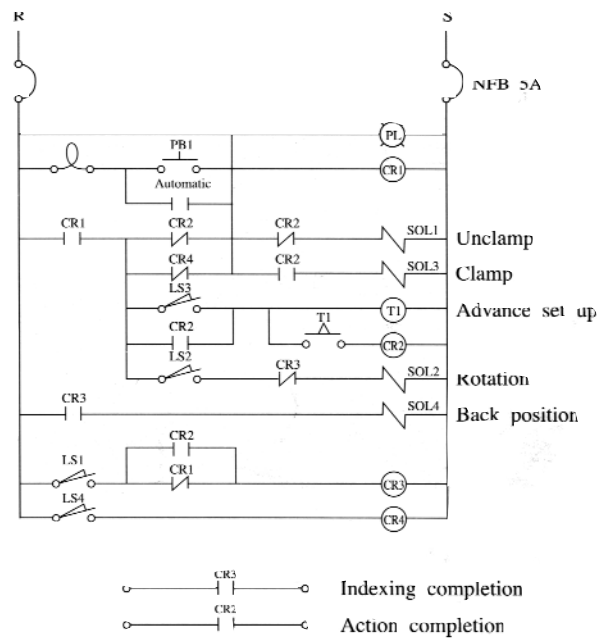
INDEXING HYDRAULIC UNIT



RIGHT TURN CIRCUIT



ROTARY HYDRAULIC UNIT



LEFT TURN CIRCUIT

Attention: Max. using pressure 430 psi